

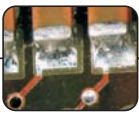
NEW!

Lynx[®] Oblique & Direct Viewer

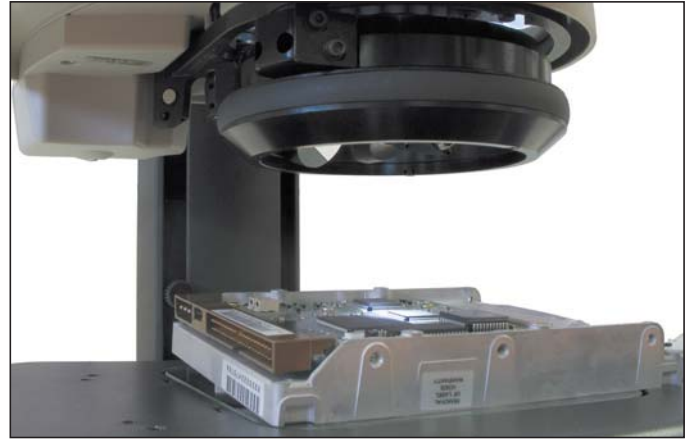
Switchable 360° rotating viewer, with integral LED illumination



Vision Engineering's new oblique & direct viewer delivers an impressive 360° rotating view of your component at a 34° angle. With an integral shadow-free LED ringlight, the oblique & direct viewer gives operators an all-round 3-D view without the need to handle the sample.



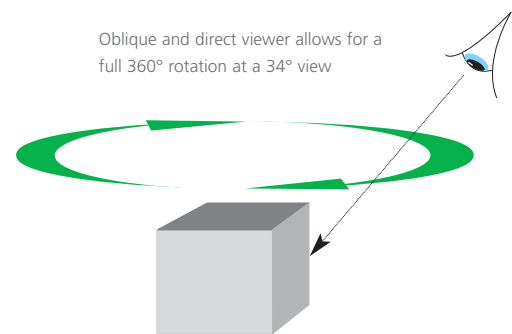
- 360° rotation at a 34° view
- Quick switch between a oblique and direct view
- Integral shadow-free, long-life LED illumination
- Long working distance for easy component re-work



The oblique & direct viewer is a unique accessory which allows subjects to be viewed from an angle of 34° from vertical and rotated through a full 360° to provide fast and simple inspection of precision component parts. Designed with integral long-life, shadow-free illumination and with a generous working distance, the accessory can simply switch between direct and oblique viewing modes for complete flexibility.

Combined with the revolutionary Lynx stereo microscope*, this enables advanced stereo viewing of 3-dimensional subjects, including PCB solder joints, holes, pillars and thread forms.

* Oblique and direct viewer, also compatible with Alpha and Beta stereo microscopes.



Technical data		
	Direct view	Oblique view
Zoom range	x8.2 - x45	x4.9 - x28
Field of view	Ø 3.1mm Min. Ø 17.0mm Max.	Ø 5.0mm Min. Ø 16.0mm Max. (uninterrupted)
Working distance	57mm	37mm
Viewing angle from vertical	-	34°





Vision Engineering manufactures a comprehensive range of ergonomic stand-alone mono and stereo microscopes as well as a complete line of non-contact measuring systems.

For more information...

Vision Engineering has a network of offices and technical distributors around the world. Please contact your Vision Engineering branch, local authorised distributor, or visit our website.

Vision Engineering Ltd.
(Manufacturing)
Send Road, Send, Woking,
Surrey, GU23 7ER, England
Tel: +44 (0) 1483 248300
Fax: +44 (0) 1483 223297
Email: generalinfo@visioneng.com

Vision Engineering Inc.
(Manufacturing & Commercial)
570 Danbury Road, New Milford,
CT 06776 USA
Tel: +1 (860) 355 3776
Fax: +1 (860) 355 0712
Email: info@visioneng.com

Vision Engineering Ltd.
(Central Europe)
Anton Pendele Strasse 3,
D-82275, Emmering, Germany
Tel: +49 (0) 8141 40167-0
Fax: +49 (0) 8141 40167-55
Email: info@visioneng.de

Vision Engineering Ltd.
(France)
1 Rue de Terre Neuve, ZA Courtaboeuf,
91967 Les Ulis Cedex, France
Tel: +33 (0) 164 46 90 82
Fax: +33 (0) 164 46 31 54
Email: info@visioneng.fr

Vision Engineering Ltd.
(Commercial)
Monument House, Monument Way West,
Woking, Surrey, GU21 5EN, England
Tel: +44 (0) 1483 248300
Fax: +44 (0) 1483 248301
Email: generalinfo@visioneng.com

Vision Engineering Inc.
(Commercial West Coast USA)
745 West Taft Avenue, Orange,
CA 92865 USA
Tel: +1 (714) 974 6966
Fax: +1 (714) 974 7266
Email: info@visioneng.com

Nippon Vision Engineering
(Japan)
272-2 Saedo-cho, Tsuduki-ku,
Yokohama-shi, 224-0054, Japan
Tel: +81 (0) 45 935 1117
Fax: +81 (0) 45 935 1177
Email: info@visioneng.jp

Vision Engineering Ltd Italia
(Italy)
Via Pelizza da Volpedo 51,
20092 Cinisello Balsamo MI, Italy
Tel: +39 02 6129 3518
Fax: +39 02 6129 3526
Email: info@visioneng.it



Visit our multi-lingual website:
www.visioneng.com

Distributor