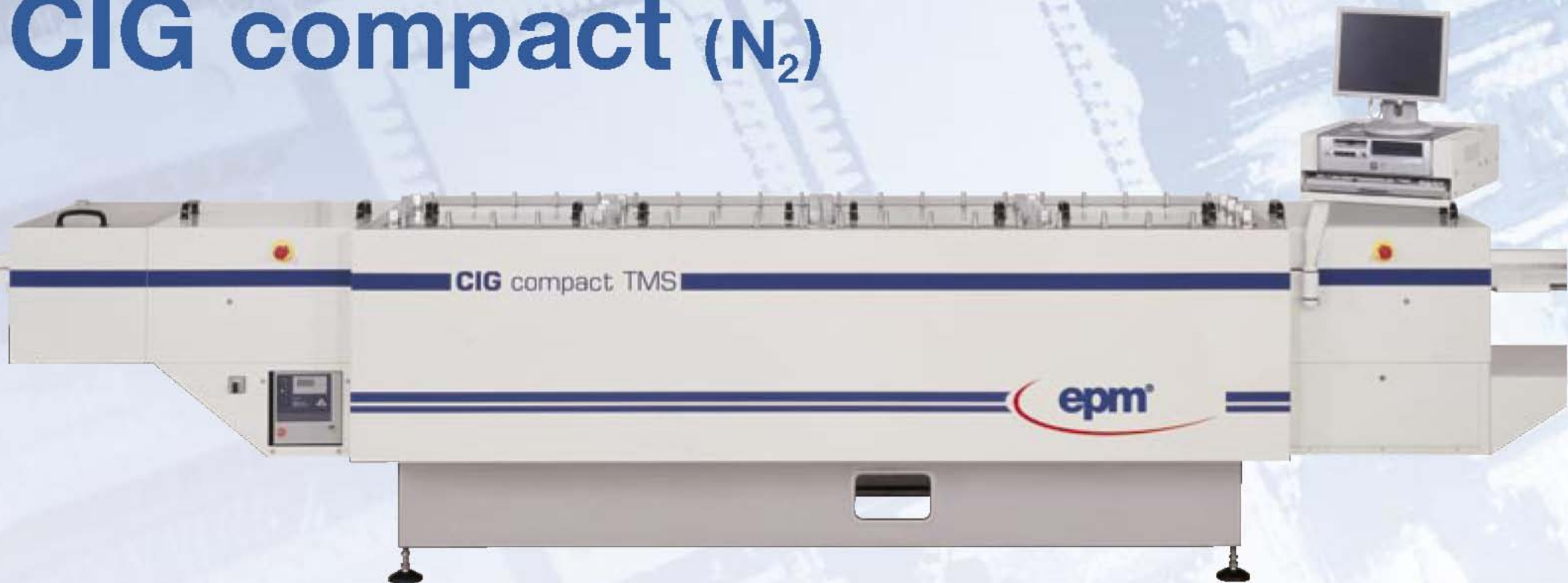


True Modular System

by  **epm**[®]

CIG compact (N₂)



The only system that grows with your needs.

Fluxer with 1 or 2 nozzles
Easy Load pump head

Permanent PPM measuring of the
 N_2 content
Granulate filter

Carrier transport 300/400/500
Angle 7° fixed



Alcohol and water based flux
Pyrometer
Preheater:
infrared / carbon / convection

Solder pot (Bodycoated)
5 years guarantee
for corrosion
AC motors
Quick-change nozzle
no need for screws

PC control
Machine Information System (MIS)





Infrared and carbon emitters allow an optimal preheating, independent of alcohol- or water based flux.

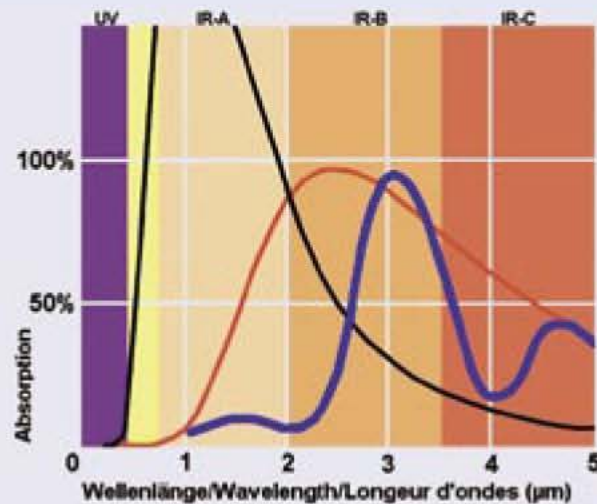


Compact a modern control system with interfaces for binary coding, barcode and transponder.



Pyrometer

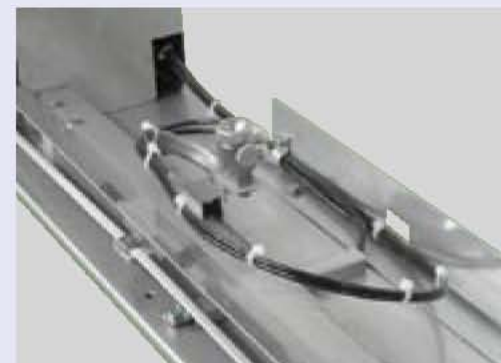
Apreheating temperature management system (pyrometer) measures the actual temperature and adjusts the temperature according to the required values.



The emission spectrum of the Carbon-beams is practically identical with the absorption spectrum of water.

UV: ultraviolet
 IR-A: short wave
 IR-B: medium wave
 IR-C: long wave

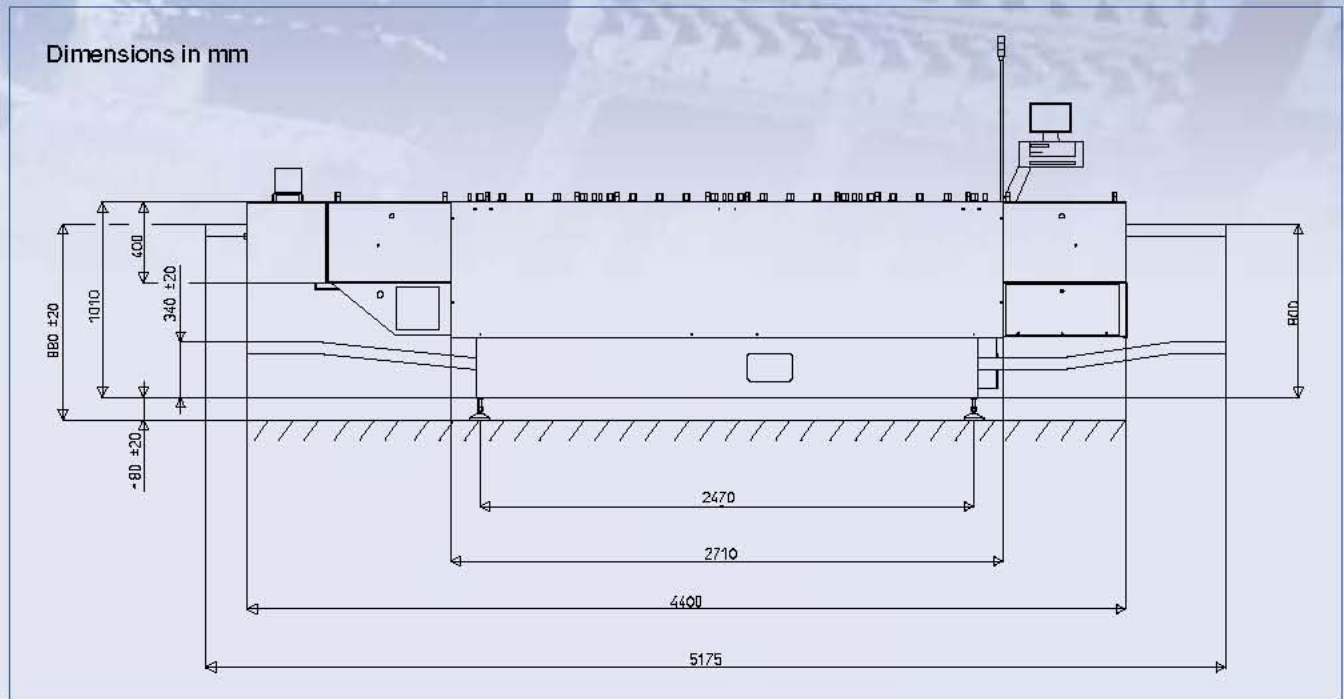
Short wave emitter
 Medium wave emitter
 Water



EPM-Sprayfluxer

The atomizer fluxer processes all fluxes with low solid parts. This system was developed for the very finest reproducible flux application. The flux is pumped directly from the original flux container to the atomising nozzle.

Data and dimensions of the CIG compact TMS



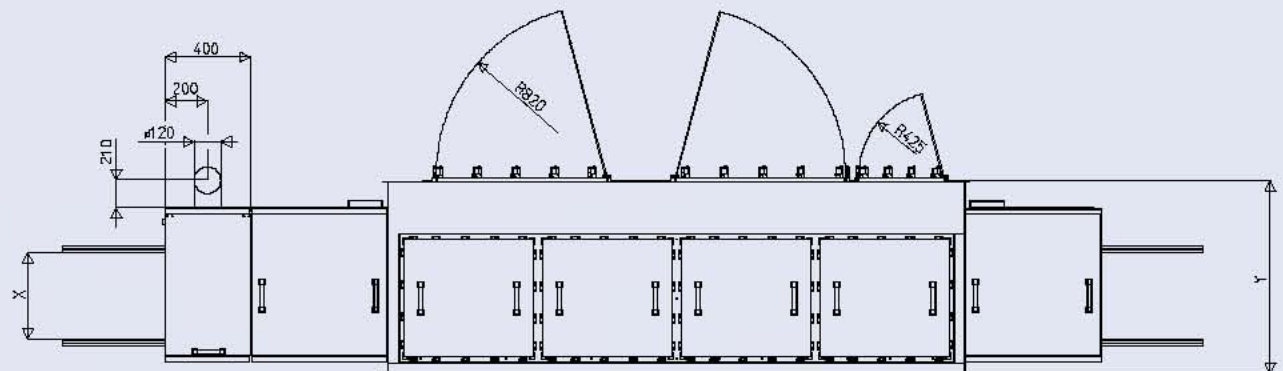
Power requirements

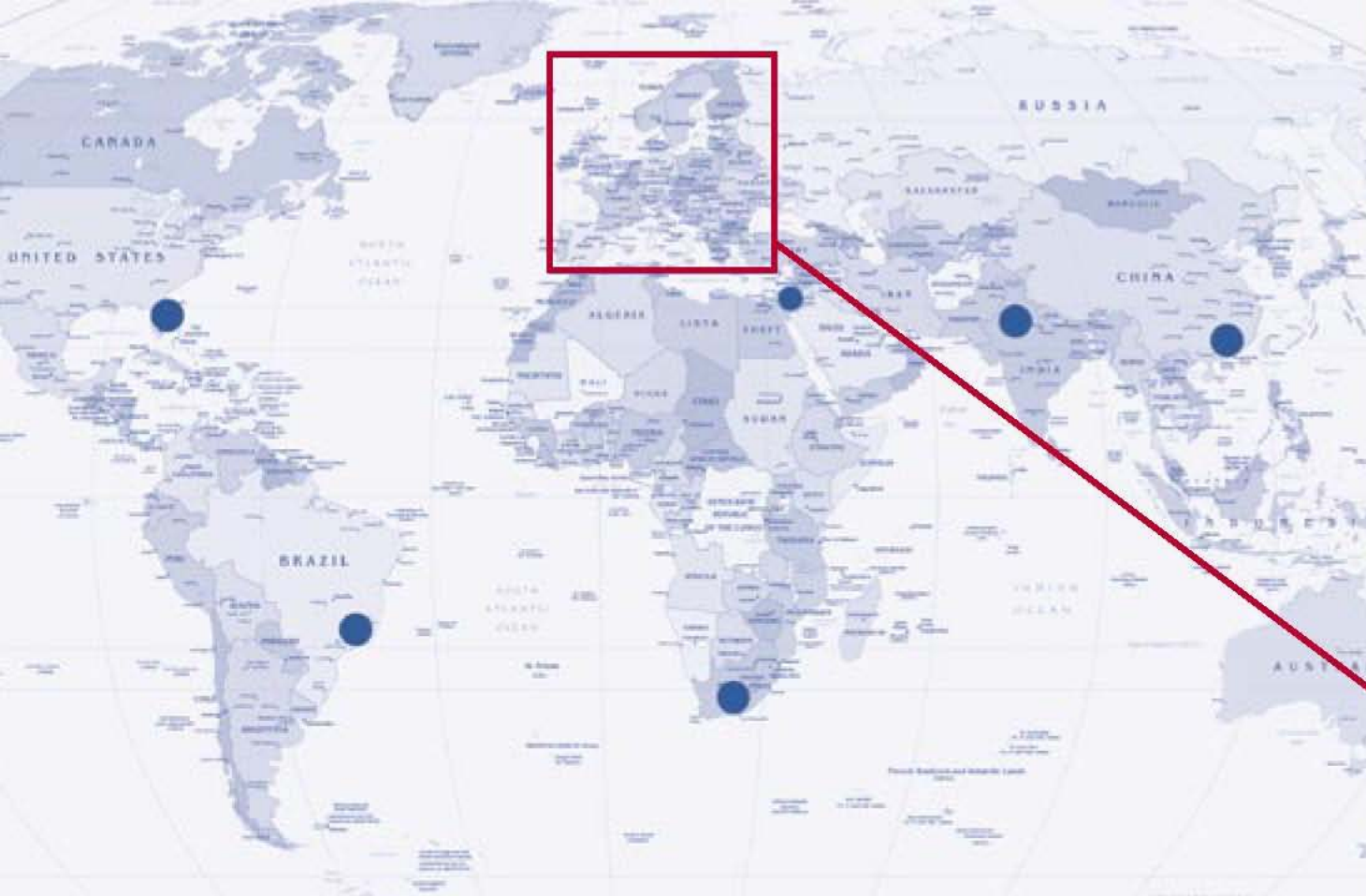
Connection value	Electrical connection	230/400V +10%–15% , 50/60 Hz, 3PNE
	Total connected load	≥ 24.7 kW
	Back up fuse (provided by customer)	3 x 35 A delay fuse
	Pneumatic connection	Connection: ¼" Power: 5–6 bar constantly Consumption: about 0.16 m³/h, depending on production
	N ₂ connection (N ₂ cover)	Connection: ½" Innengewinde Power: 7 bar constantly Consumption: 15–20 m³/h, depending on production
	Sound level	< 65 dB(A)
Weights and loading	Machine	ca. 750 kg, without solder filling
	Solder filling	380–450 kg depending on the alloy (CIG Compact 300/400) 550–650 kg depending on the alloy (CIG Compact 500)

X: CIG Compact 300: 330 mm; CIG Compact 400: 430 mm; CIG Compact 500: 530 mm

Y: CIG Compact 300/400: 935 mm; CIG Compact 500: 1035 mm

CIG Compact 300/400/500 are carrier-machines





Where to find epm – all around the world



EPM Handels AG
Dorfstrasse 81
CH-8954 Geroldswil
Phone +41 (0)44 749 31 31
Fax +41 (0)44 749 31 39
eMail epm@epm.ch
www.epm.ch

EPM France
11, rue du marcelly
FR-74950 Scionzier, France
Phone +33 (0) 450 965 366
Fax +33 (0) 450 892 043
eMail jumeau.l@neuf.fr

Agency

